

CODE NUMBER

3019634

DESCRIPTION

1.6 gpf, Polished Chrome Finish, Top Spud, Single Flush, Royal® Exposed Manual Specialty Water Closet Bedpan Washer Flushometer.

DETAILS

- Flush Volume: 1.6 gpf (6.0 Lpf)
- Finish: Polished Chrome (CP)
- Valve: Diaphragm
- Valve Body Material: Semi-red Brass
- Fixture Type: Water Closet
- Fixture Connection: Top Spud
- Spud Coupling: 1 ½" (38mm)

FEATURES

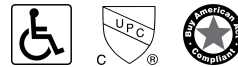
- Dual Filtered Bypass
- ADA Compliant Metal Oscillating Non-Hold-Open Handle with Triple Seal Handle Packing
- 1" I.P.S. Screwdriver Bak-Chek® Angle Stop with Free Spinning Vandal Resistant Stop Cap
- 1" I.P.S. Chrome Plated Elbow and Solid Ring Pipe Support
- Adjustable Tailpiece
- High Back Pressure vacuum breaker flush connection w/ One-piece Bottom Hex coupling Nut
- Spud Coupling and Flange for 1½" Top Spud
- Sweat Solder Adapter w/Cover Tube & Cast Wall Flange w/Set Screw
- Diaphragm, Handle Packing, Stop Seat and Vacuum Breaker molded from PERMEX® rubber compound for Chloramine resistance

Bedpan Washer Diverter Assembly with the following features:

- • Deoseptic Unit with 16 oz. (473 ml) Reservoir Bottle
- • Solid One-piece Body Construction
- • Solid Brass Spray Arm
- • Counter Balanced Pivot Assembly
- • Diverter Valve Wall Support



COMPLIANCES & CERTIFICATIONS



(ADA Compliant, cUPC Certified, BAA Compliant)

RECOMMENDED SPECIFICATION

Valve Body, Cover, Tailpiece and Control Stop shall be in conformance with ASTM Alloy Classification for Semi- Red Brass. Valve shall be in compliance with the applicable sections of ASSE 1037 and ANSI/ASME 112.19.2.

VALVE OPERATING PRESSURE (FLOWING)

15-80 PSI (103-552 kPa). Specific fixtures may require greater minimum flowing pressure - consult manufacturer requirements.

DOWNLOADS

- [Slimline Royal/Regal XL Exposed Installation Instructions](#)
- [Control Stop Repair and Maintenance Guide](#)
- [Flush Connections Flanges Repair and Maintenance Guide](#)
- [Tail Piece Repair and Maintenance Guide](#)
- [Royal Manual Diaphragm Flushometer Repair and Maintenance Guide](#)
- [Slimline Bedpan Washer Repair and Maintenance Guide](#)
- [Additional Downloads](#)

NOTES

All information contained within this document subject to change without notice.

Looking for other variations of the ROYAL BPW 1115 product? [View the general spec sheet with all options.](#)

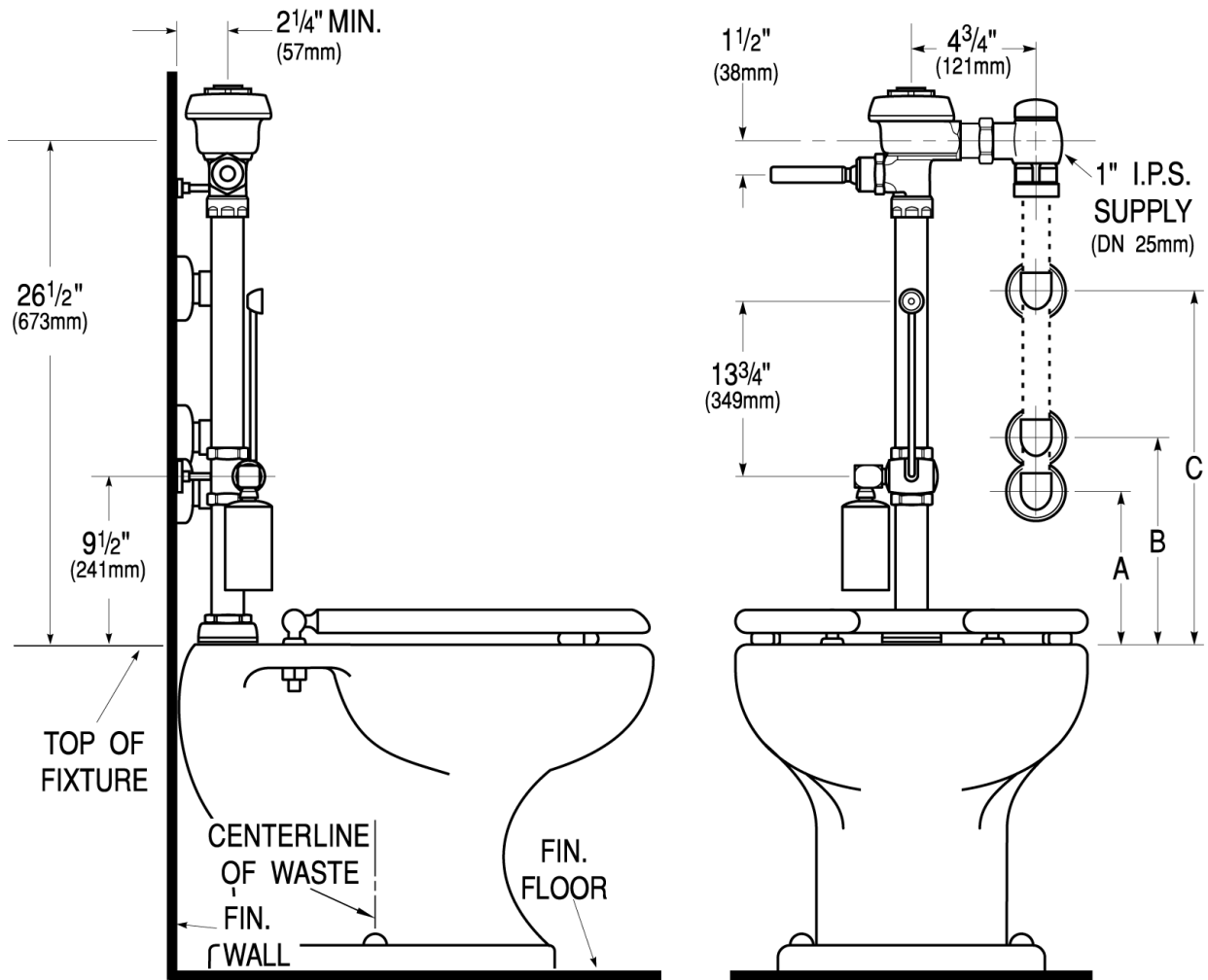
[Find a compatible urinal](#) for this flushometer.

[Find a compatible water closet](#) for this flushometer.

Sloan 10500 Seymour Ave, Franklin Park, IL 60131

Phone: 800.982.5839 • Fax: 800.447.8329 • sloan.com

ROUGH-IN



Sloan 10500 Seymour Ave, Franklin Park, IL 60131
Phone: 800.982.5839 • Fax: 800.447.8329 • sloan.com